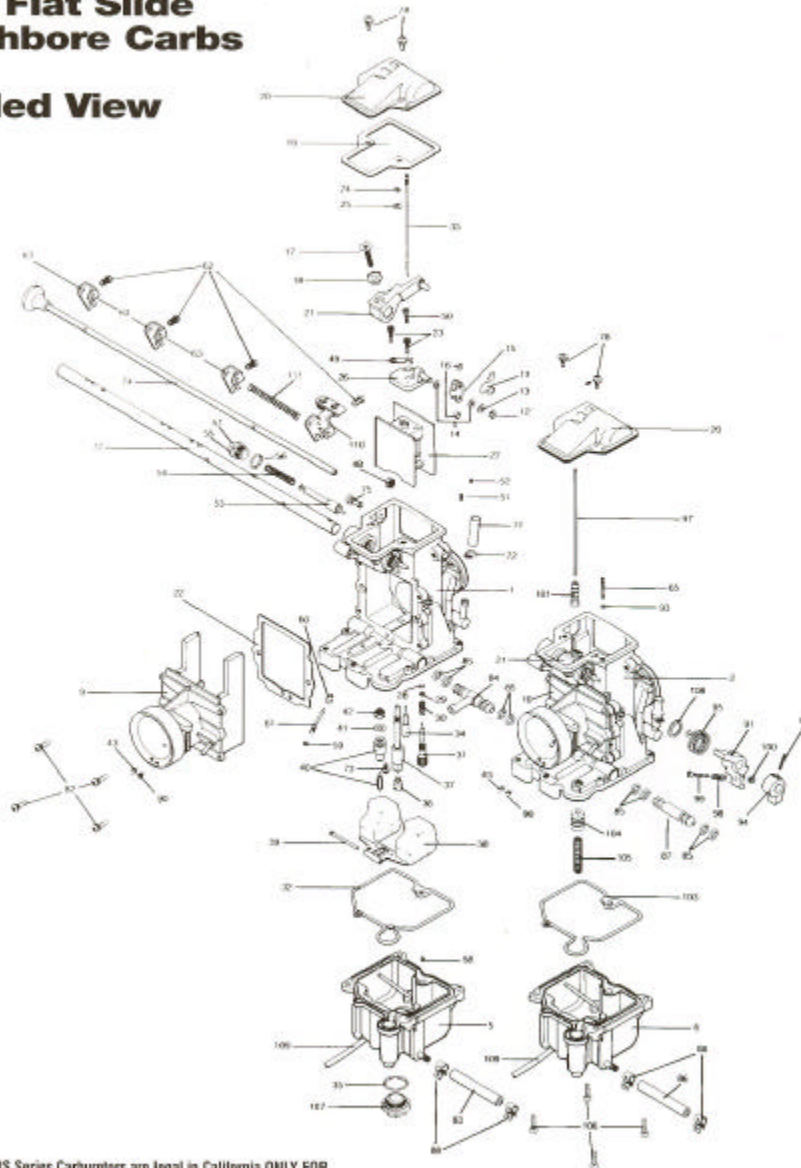


# RS Replacement

## RS34/36/38/40 Radial Flat Slide Smoothbore Carbs

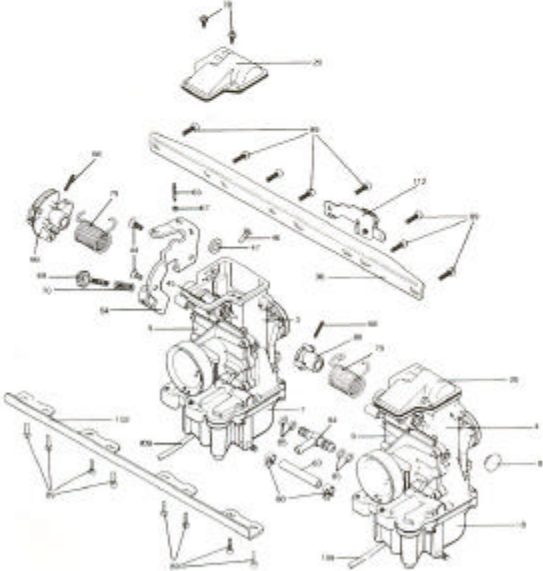
### Exploded View



**IMPORTANT:** Mikuni RS Series Carburetors are legal in California ONLY FOR RACING VEHICLES WHICH MAY NEVER BE USED UPON A PUBLIC STREET OR HIGHWAY. In other locations check for similar laws which may apply.

# Parts

No.	Description	Part Number	No.	Description	Part Number
1	MIXING BODY	214000004	35	O-RING, DRAIN PLUG	VM28/254
2	MIXING BODY	214000004	<b>36</b>	<b>MAIN JET</b>	<b>N100-804</b>
3	MIXING BODY	214000006	<b>37</b>	<b>NEEDLE JET-568</b>	<b>784-13002-P-4</b>
4	MIXING BODY	214000002	38	FLOAT ASSY	860-33011
5	FLOAT CHAMBER BODY	214000003	39	PIN, FLOAT	VM30/160
6	FLOAT CHAMBER BODY	214000004	40	NEEDLE VALVE ASSY	N149/040-2.8
7	FLOAT CHAMBER BODY	214000003	41	O-RING, NEEDLE VALVE	KV/10
8	FLOAT CHAMBER BODY	214000006	42	FILTER, NEEDLE VALVE	VM18/233
9	AIR FUNNEL BODY	214000006	43	MAIN AIR JET (PLUGGED)	BS30/97
10	AIR FUNNEL BODY	214000004	44	SCREW, CRANK BRACKET	C8 = 0512
11	CLIP, T.V. LEVER	214000004	45	LEVER ASSY, T.V. #3 CARB.	214000004
12	E-RING, T.V. LEVER	BSW28/70	46	SCREW LEVER	C5 = 0514
13	WASHER, T.V. LEVER	M10/58	47	PACKING, SHAFT	214000004
14	PACKING, T.V. LEVER	B401/10	48	HEXAGON, LOCK NUT	214000002
15	PLATE, T.V. LEVER	214000006	49	PLATE, NEEDLE RETAINER	214000002
16	RING, T.V. LEVER	214000006	50	SCREW, T.V. PLATE	CS-0514
17	SCREW, SYNCH. LOCK	C5 = 0518	51	SPRING, STARTER SHAFT	821/29
18	RING, SYNCH. ADJUST	TM30/00	52	BALL, STARTER SHAFT	821/28
19	GASKET, TOP COVER	TM38/39	53	PLUNGER, STARTER	N151/038
20	TOP COVER, CARB.	214000002	54	SPRING, STARTER	VM16/42
21	LEVER ASSY, T.V. #1-2-4	214000004	55	GUIDE HOLDER, STARTER	640-32002
22	GASKET, AIR FUNNEL	TM36/42	56	O-RING, STARTER	N138.198
23	SCREW, 2.5 mm ALLEN	739-13001	57	CAP, STARTER	214000004
24A	E-RING, RS34-36 NDLE	VM20/068	58	STARTER JET	VM17/1002
24B	E-RING, RS38-40 NDLE	BS32/126	59	O-RING, A/P NOZZLE	N124.063
25A	WASHER, IDLE CLIP 34-36	VM28/315	60	PLUG, A/P NOZZLE	TM29/14
25B	WASHER, IDLE CLIP 38-40	820-03002	61	PUMP NOZZLE	TM36/43
26	CONNECTOR PLATE, T.V.	214000004	62	SCREW, START BRACKET	N158.052
27A	VALVE, THROTTLE 34-36	CALL YOUR DISTRIBUTOR	63	LEVER, STARTER SHAFT	214000004
27B	VALVE, THROTTLE 38-40		64	BRACKET, BELL, CRANK	214000004
28	O-RING, FUEL SCREW	N133.037	65	ADJUST SCREW, A/P	TM36/48A
29	WASHER, FUEL SCREW	VM12/33	66	LEVER ASSY, BELL, CRANK	TM36/31
30	SPRING, FUEL SCREW	N133.206	67	HEXAGON NUT, A/P	214000004
31	SCREW, PILOT FUEL	604-26003	68	PIN, THROTTLE BELL, CRANK	N138.019
32	O-RING, F.C.B. #1-3-4	616-94020	69	ADJUSTER, IDLE	739-55003
<b>33A</b>	<b>JET NEEDLE RS36 BEFORE 12/87</b>	<b>J8-9CHY01</b>	70	SPRING, IDLE ADJUSTER	N110.209
<b>33B</b>	<b>JET NEEDLE RS34, 36</b>	<b>J8-9DZH01 or 9DZH05</b>	71	CAP, VACUUM FITTING	N145.013
<b>33C</b>	<b>JET NEEDLE RS38, 40</b>	<b>J8-9CHY03 or 9CHY10</b>	72	SPRING CLIP, VAC. FIT	860-28428
<b>34</b>	<b>PILOT JET</b>	<b>VM28/486-17.5</b>	73	SCREW, IN HOLDER	VM13/216
			74	SHAFT ASSY, STARTER	214000004
			75	RAW HEAD MACHINE SCREW	C2=0508-B
			76	FLAT HEAD MACHINE SCREW	C5 = 0514
			77A	SHAFT, THROTTLE B/C #3	700-17011
			77B	SHAFT, THROTTLE B/C #1	700-17012
			77C	SHAFT, THROTTLE B/C #3	700-17013
			78	SCREW, TOP COVER	QW2-0408
			79	SPRING, THRTL. RTRN.	TM35/48a
			80	LEVER, RTN. SPRING	214000004
			81	CAP, SHAFT END	214000004
			82	SCREW, AIR FUNNEL	VM38/133B
			83	HOSE, FUEL, CONNECT	888-44003
			84	INLET, FUEL "T"	201-23012
			85	O-RING, FUEL JOINT	610-23002
			86	HOSE, A/P FUEL	888-4404
			87	JOINT, FUEL	792-20014
			88	CLIP, FUEL HOSE	E100729-BB
			89	SCREW, BRACKET	C2 = 0512-B
			<b>90</b>	<b>PILOT AIR JET</b>	<b>BS30/97-8.8</b>
			91	LEVER, A/PUMP	TM36/17
			92	PIN, A/P LOCATE	8N38/43
			93	O-RING, A/P ADJ.	830/205
			94	LEVER, A/PUMP	TM36/18
			95	SPRING, A/PUMP	TM36/45
			96	PLATE, TOP BRACKET	214000006
			97	ROD, A/PUMP	TM35/44
			98	SPRING, A/P ADJ.	M121/48A
			99	SCREW, A/P ADJ.	MC-0316-B
			100	HEXAGON NUT, A/P ADJ.	N3 = 03-B
			101	CAP, A/P RUBBER	TM36/54
			102	PLATE, LOWER BRACKET	214000006
			103	O-RING, F.C.B. A/P	616-94021
			104A	PLUNGER, A/PUMP 8mm	TM36/60
			104B	PLUNGER, A/PUMP 12mm	TM36/60a
			105	SPRING, A/P 12mm	VM145C13/89
			106	SCREW, FLOAT BOWL	C2 = 0412-B
			107	PLUG, DRAIN	VM33/77
			108	RING, A/P SPRING	860-040
			109	HOSE	888-23026
			110	LEVER, STARTER CABLE	TM36/63
			111	SPRING, STARTER BRACKET	730-06027
			112	BRACKET, STARTER CABLE	TM36/61



PART NUMBER 6000-0000 = NO AVAILABLE STOCK