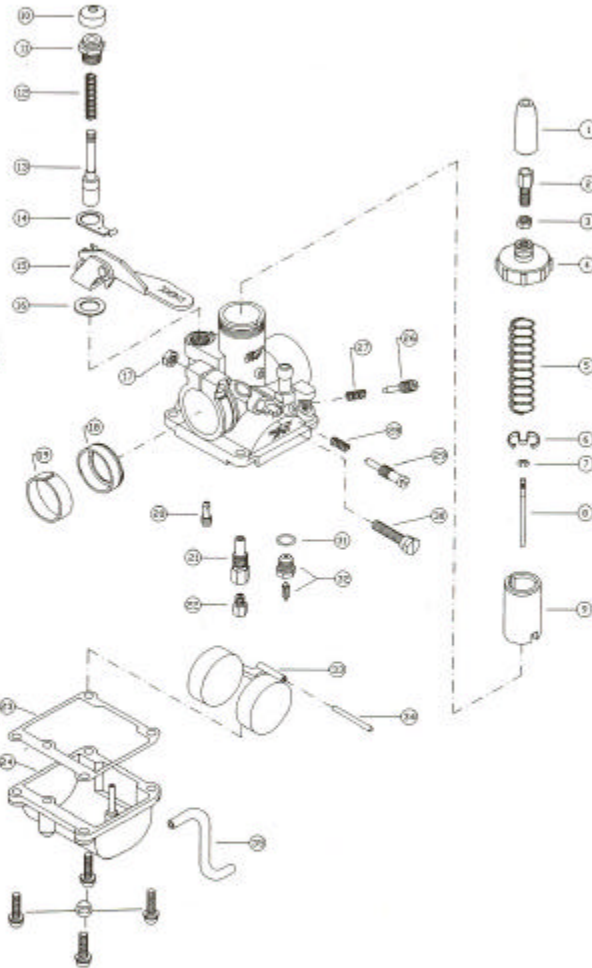


Parts

VM18-144 Exploded View

No.	Description	Part Number
1.	RUBBER CAP, THROTTLE CABLE	VM18/67
2.	CABLE ADJUSTER	M21/14
3.	NUT, CABLE ADJUSTER	B30/247
4.	TOP MIXING CHAMBER	VM18/40
5.	SPRING, THROTTLE VALVE	VM18/170
6.	CLIP, JET NEEDLE RETAINING	VM18H1/28
7.	E-RING, JET NEEDLE POSITIONING	VM20/369
8.	JET NEEDLE	JB-4F18
9.	THROTTLE VALVE (SLIDE)	VM18/156-1.0
10.	RUBBER CAP, STARTER PLUNGER	VM20/455
11.	FITTING, STARTER PLUNGER	VM20/456
12.	SPRING, STARTER PLUNGER	VM16/42
13.	STARTER PLUNGER	VM18/144
14.	SPRING PLATE, STARTER LEVER	VM18/164
15.	STARTER LEVER	VM18/215
16.	WASHER, STARTER LEVER	BV26/418
17.	NUT, CLAMP BOLT	M1-05
18.	SEALING RING, RUBBER	VM18/326
19.	RING, INSULATOR	VM18/327
20.	PILOT JET	VM22/210-30
21.	NEEDLE JET	VM15H1/17-0.0
22.	MAIN JET	4042-80
23.	GASKET, FLOAT BOWL	VM17/161
24.	FLOAT BOWL	VM18/161
25.	SCREW, FLOAT BOWL	CW2-0414
26.	AIR ADJUSTING SCREW	VM20/305
27.	SPRING, AIR ADJUSTING SCREW	VM15/112
28.	SPRING, IDLE ADJUSTING SCREW	VM15/112
29.	IDLE ADJUSTING SCREW	VM18/164
30.	BOLT, CLAMP	VM16/65
31.	WASHER, NEEDLE VALVE	VM15/07
32.	NEEDLE VALVE & SEAT ASSY.	VM15/172-1.5
33.	FLOAT	VM17/159
34.	PIN, FLOAT	BV26/22
35.	HOSE-OVERFLOW	VM18/346



VM SERIES ROUND SLIDE CARBURETOR DIMENSIONS(mm)

MODEL	VM18	VM20	VM22	VM26	VM30	VM32	VM34	VM36	VM38	VM44
A	FLANGE DIA. 21.0	FLANGE DIA. 23.0	FLANGE DIA. 25.0	35		40		43		52
B	67	66	85	83	93	102	93		116	
C	106	116	114	122	137	142	137	152	154	193
D	32	43	43	44		58		62		70
TOTAL WIDTH	61	76.5	82	82		83			79	

