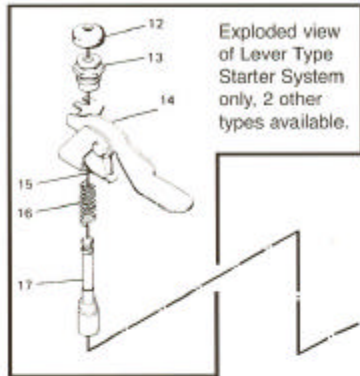
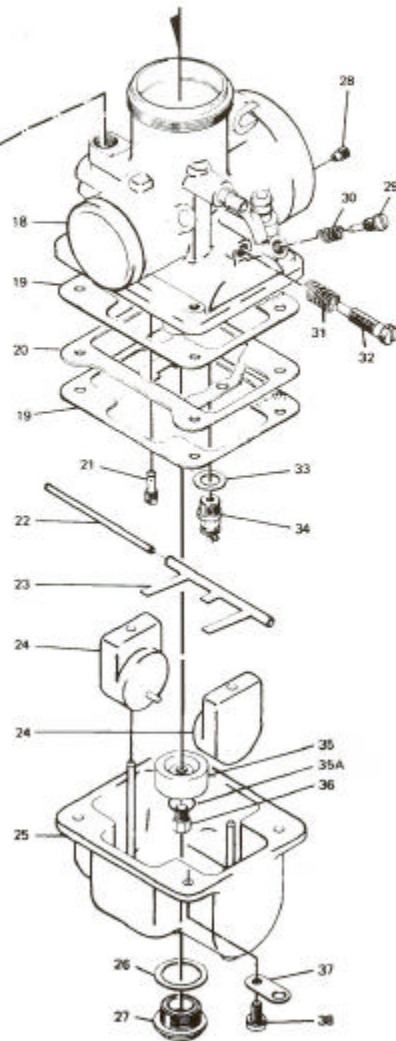


VM Replacement



Mikuni VM Spigot Mount Carburetor Exploded View



Main Jet Extender
VM38/09 (Hex)



VENT HOSE
VM14/49

Parts

ITEM NUMBER and DESCRIPTION	VM25	VM28	VM30	VM32	VM34	VM36	VM38	VM40	VM44
1. RUBBER CAP, throttle cable				VM26/46					
2. CABLE ADJUSTER				M21/14					
3. LOCKNUT, cable adjuster				B30/247					
4. TOP, mixing chamber	VM26/56			VM34/27		VM36/09		VM44/05	
5. GASKET, mixing chamber top				VM34/29			VM36/06		
6. SPRING, throttle valve	VM28/257		VM34/50		VM34/55			VM44/13	
7. PLATE, spring seat	VM28/132					VM35/09		VM44/09	
8. CLIP, needle positioning					VM20/369			BS32/126	
9. NEEDLE	#5 Series							#7 Series	
10. THROTTLE VALVE (SLIDE)	VM28/56			VM34/110		VM36/36	VM38/24	VM40/02	
11. NEEDLE JET	VM28/86(182)	VM30/38(169)		VM34/05 159			VM34/17(166)	VM44/10(224)	
12. RUBBER CAP, starter plunger				VM20/455					
13. FITTING, starter plunger	VM28/116				VM20/456				
14. LEVER, starter	VM28/135	VM28/497		VM28/124		VM32/53		VM36/58	
15. SPRING PLATE, starter level	VM26/09					VM32/17			
16. SPRING, starter plunger				VM16/42					
17. PLUNGER, starter						VM18/144			
18. BODY, mixing chamber									
19. GASKET, float bowl	VM28/129			VM30/103 909-631-010			VM36/20	VM36/20	
20. BAFFLE PLATE, float bowl				VM34/72			VM36/40	VM44/12	
21. PILOT JET				VM22/210					
22. PIN, float arm hinge				BV26/22					
23. ARM, float	VM28/165			VM34/73				VM36/15	
24. FLOAT	VM28/164			VM34/61				VM24/236	
25. BOWL, float				VM34/68		VM36/07		VM44/04-80	
26. WASHER, main jet plug	VM28/134			4/063				VM28/134	
27. DRAIN PLUG, float bowl	VM28/133			VM34/42		VM28/253	VM38/08	VM28/133	
28. AIR JET				BS30/37					
29. AIR ADJUSTING SCREW				VM20/214					
30. SPRING, air adjusting screw				M12F/46A					
31. SPRING, idle adjusting screw				M20/11					
32. IDLE ADJUSTING SCREW	VM24/224	VM28/142	VM24/224			VM22/171		VM24/224	
33. WASHER, needle valve	VM26/25			B34/52					
34. NEEDLE VALVE & SEAT ASSY.	VM26/26			VM34/39				or VM38/11-3.5	
35. RING, main jet	VM28/228	VM36/17						VM28/228	
36. MAIN JET				4/042					
37. PLATE, vent tube anchor	VM15/164			VM28/79					
38. SCREW, float bowl	CW2-0415			CW2-0518		CW2-0516		CW2-0518	